

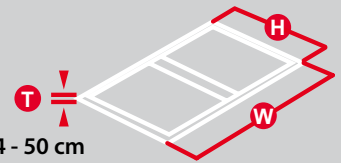


Roby Junior 2

Casemaker

max cm 50x70

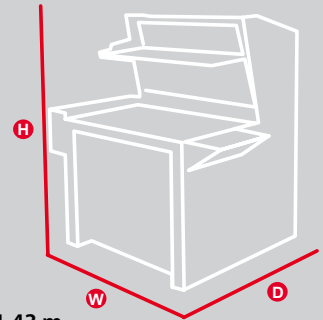
250 cycles/h



H 14 - 50 cm

W 14 - 70 cm

T 1,8 - 3,0 mm



W 1,43 m

D 1,23 m

H 1,75 m

Casemaker with automatic board feeder

A compact and versatile semi-automatic casemaker suitable both for short and medium runs.



Roby Junior 2 is composed of:

Gluing unit

Integrated in the machine in order to save floor space and the walking effort.
Usually used with hot, animal glue, the unit can also be used with cold, vinyl glue.

Automatic board feeder

Ensures high productivity and perfect alignment of boards.

Turning-in unit

Works with all the usual covering materials.
Turns in two sides at a time. Includes a corner closing device.

Corner cutter

A practical solution for small quantities.

Vacuum worktable

Prevents the covering material from moving during the positioning of boards.
A backlit central window allows to accurately position the book title along the book spine.

Manual board positioning device

Useful for short runs, cases with flexible spine and cases whose spine is thinner than 12.5 mm.

SPECIFICHE TECNICHE**Gluing unit/turning-in unit:**

Type of glue: hot and cold
Glue feeding: non-stop
Glue tank capacity: kg 3
Max size of covering material: cm 50 x 70
Min board size: cm 14 x 14
Max board thickness: mm 3
Min board thickness: mm 1,8
Minimum turn-in: mm 18
Max weight of covering material: gr/m² 140
Min weight of covering material: gr/m² 80

Automatic board feeder:

Max cover size: cm 35 x 70
Min cover size: cm 14 x 14
Material thickness max: mm 3 (depending on the format)
Material thickness min: mm 1,8
Max number of boards: 3 (optionally 5)

Characteristics of spine with automatic board feeder:

Min spine board width: mm 12,5. Min thickness of spine board: mm 1,8. Distance between boards: mm 10.

Option "8 mm kit":

Min spine width: mm 8. Min thickness of spine board: mm 1,8. Distance between boards: mm 8.

Characteristics of spine with manual feeder:

Min spine width: mm 8
Min thickness of soft spine: mm 0,8
Distance between boards: mm 8

General

Rated power: kW 2,43
Standard voltage: V 400/Hz 50/3 phase (others available upon request)
Air consumption (to be supplied by the user): l/min 250 - atm 6
Packed machine size: cm 143 x 123 x h175
Gross weight: kg 360

Roby Junior 2

Casemaker

ALTERNATIVE MACHINES



Mephisto

Casemaker
Max size: cm 50 x 70
Max speed: cycles/hour 150



Roby Junior 2 VAS

Casemaker with automatic cardboard feeder and single pass finishing
Max size: cm 50 x 70
Max speed: cycles/hour 350



Roby 1800

Automatic casemaker
Max size: cm 45 x 76
Max speed: cycles/hour 1400

COMPLEMENTARY MACHINES



X-Case

Casing-in machine
Max size: cm 46 x 50
Max speed: books/hour 200